

## LARSON CABLE TRAILERS PARTS LIST

### Model 5600

Part Number		Description
8,000 Dexter Axle	5/8" press in studs p/n 7-232	Axle 8,000 lbs. Torflex
16.5x9.75		Trailer Rim
12-16.5LT	GoodYear	Trailer Tire
18.5x8.5x8		Reel Turner Rack Tire & Rim
11x4x4		Figure 8 Assembly Tire & Rim
W-222EL		Linkbelt Bearing
72MM-3-R		Flange
NPS-106 RPC		BCA Federal Mogul Bearing
72-MS		Bearing Flange
TB0230AS110AAAB	13 hp engine	Parker Hannifin Orbital Motor
104 - 20XX 2-Speed	20 hp engine	Eaton Orbital Motor
PR HR400G4	13 HP w/2 stage pump	Prince Orbital Motor
7000 lbs.		Bulldog Drop Jack
86000448		New Holland Rubber Fastener
#351 Hook Clamp	Valve Cover Hood	De-Sta-Co CLAMPS
<b>Electrical System</b>		
427KR		Peterson Tail Light
P/N 1214		Tekonsha Shurset III Breakaway Kit
<b>Hydraulic System</b>		
GX390		13 HP Honda engine with oil alert
GX620K1		20 HP Honda engine with oil alert
TK50		25 Gallon Reservoir
HWSG-5-T		Site Fill and Temp Gauge
HWTMS25-10000RB3		Suction Screen 2" OS 1" IS Diameter
P3/4M		3/4" Magnetic BIK Plug
HWDFB40-03		Vented Filter Oil Reservoir Cap
CIM-50270		Cimtek 1" NPT Adapter
CIM-70134		Cimtek 10 Micron Filter
SP20A9A9H2R	13 hp 9 gpm	Prince Hydraulic Pump
PR SP20A14A9H2R 2BT SP20	20 hp 12 gpm	Prince Hydraulic Pump
P -167848		Donaldson Hyd Filter Head Assembly
P-551551		Donaldson Hydraulic Filter
<b>Brake pads on reel turner brake are SKU# 5592275 MKD-377 Wearever Silver Disc Brake Pads fit a 92' Pontiac Grand Prix rear pad only is used.</b>		
6024		Hydraulic Pump Mount
0625-156		Reuland RCI Coupling Half
1000-250		Reuland RCI Coupling Half
144916		Prince Flow Control Valve
SS AID SEL W/KNB 1/2 valve associate with 2-speed motor	20 & 13 hp	Prince Valve
	Bore	Stroke
Prince 3000 PSI Cylinder	2"	12"
Prince 2500 PSI Cylinder	3.5"	36"
		Model
		PMC-42012
		PMC-5536

**LCT Model 5600 parts list continued**

<b>Hoses – All are 3000 PSI Female Swivel JIC</b>	
<b>Part#</b>	<b>Length &amp; Size</b>
1	30" x 1" Suction Hose
2	14' x 1/2"
3	14' x 1/2"
4	14'6" x 1/2"
5	14'8" x 3/8"
6	14' x 3/8"
7	8'10" x 3/8"
8	8'10" x 3/8"
9	30" x 3/8"
10	20" x 3/8"
11	7' x 3/8"
12	8' x 3/8"
13	11' x 3/8"
14	11' x 3/8"
15	2'3" x 3/8"
16	2'3" x 3/8"
17	1'6" x 1/2"
<b>Hydraulic Fittings</b>	
Adapter 6802-8-10	
6500-6-10	9'16" Male Tube to 7/8 Male O-Ring 37DE
5406-20-16	1 1/4" Male Pipe to 1" Female Pipe Bushing
5502-20-20	1 1/4" Male Pipe 1 1/4" Female Pipe 9
6400-12-12	1 1/16" Male Tube to 1 1/16" Male O-Ring
2501-8-12	3/4" Male Tube to 3/4" Male Pipe 90 Degrees
2501-6-8	9/16" Male Tube to 1/2" Male Pipe 90 Degrees
6801-8-8	3/4" Male Tube 90 Degrees to 3/4" Adj. O-Rings
6801-8-10	3/4" Male Tube 90 Degrees to 7/8" Adj. O-Rings
BV100	1" FNPT Ball Valve
5406-1116	1" Male Pipe to 1" Male Pipe
2603-6-6	9/16" Male Tube Tee 37 Degree Flare
2501-6-8	9/16" Male Tube to 1/2" Male Pipe 90 Degree
6500-6	9/16" Male Tube 90 Degree to 9/16" Female SW

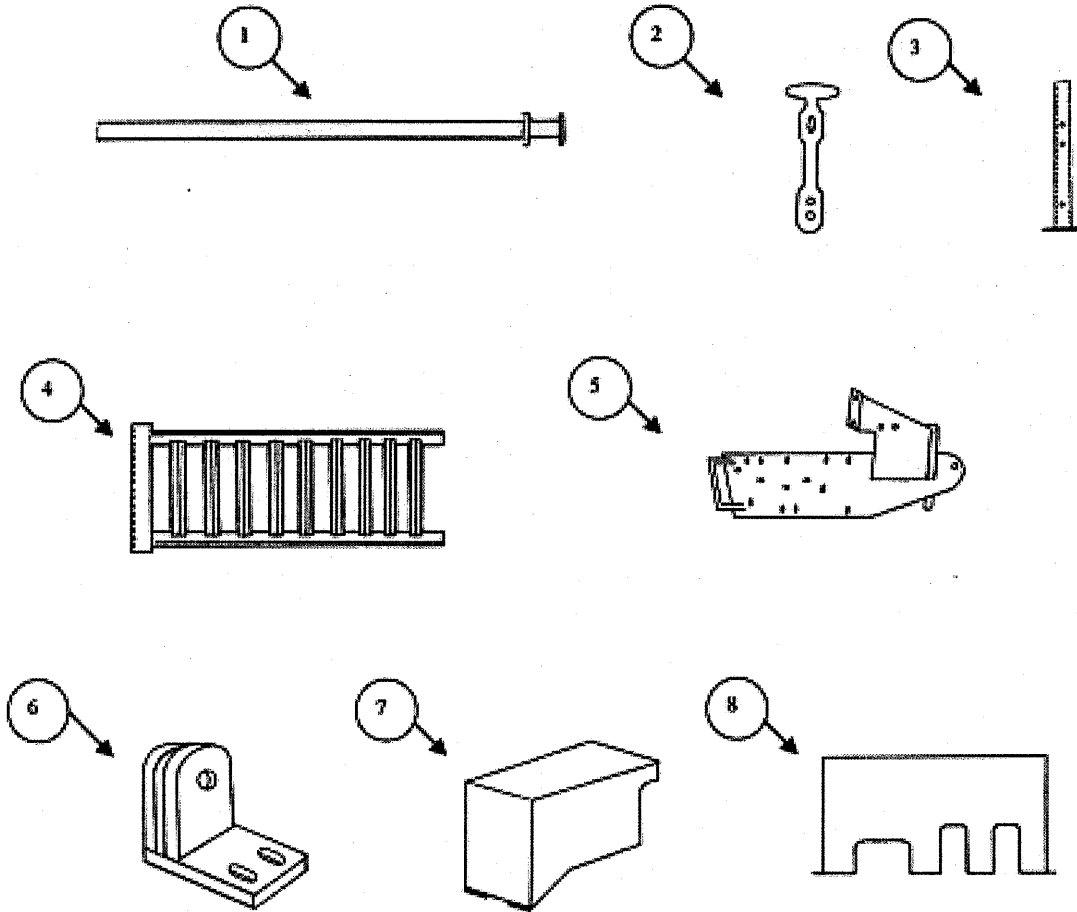
### LCT Model 5600 parts list continued

<b>LCT Manufactured Parts</b>	
LCT-1003	Reel Lifting Rack Assembly
LCT-100315	Reel Lifting Rack Hinge Pipe
LCT-100322	Reel Lifting Height Adjuster
LCT-1004	Reel Turner Rack Assembly
LCT-10048	Reel Turner Rack Hinge Pipe
LCT-100432	Reel Turner Rack Axle
LCT-100573	Ramp
LCT-100576	Arbor Lock-in Collar
LCT-100571	2 ½" Collar
LCT-100570	3" Collar
LCT-100561	2 ½" Arbor
LCT-100560	3" Arbor
LCT-100566	Figure 8 Pole
LCT-100569	Figure 8 Tube Bracket
LCT-100553	Figure 8 Device
LCT-10055304	Figure 8 Device Drive Shaft
LCT-10055313	Figure 8 Device Guide Protector
LCT-100559	Engine Hood
LCT-100562	Control Valves Hood
LCT-100537	Stiff Leg
LCT-100551	Reel Turner Hub Assembly
LCT-100541	Cylinder Hinge Lower Link
LCT-100540	Cylinder Hinge Upper Link
LCT-100587	Orbital Motor Stabilizer
LCT-100591	Swivel Valve Table

**LARSON CABLE TRAILERS PARTS LIST  
MODEL 5700**

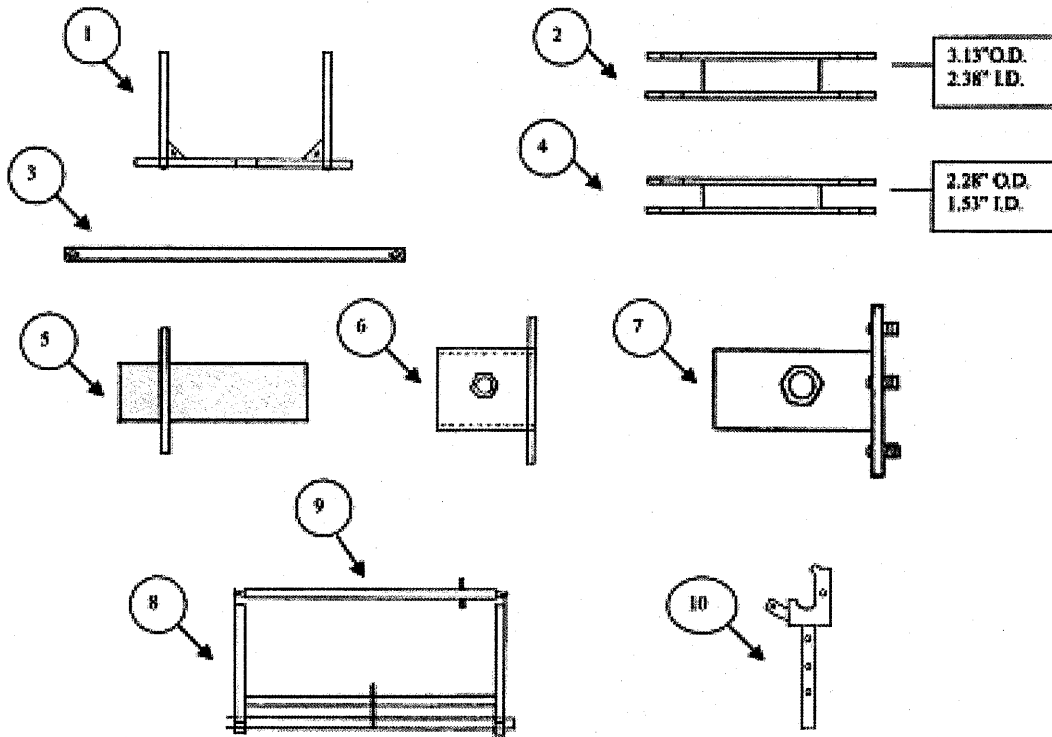
<b>Part Number</b>		<b>Description</b>
<b>Electrical System</b>		
427 KR		Peterson Tail Light
1214		Tekonsha Shurset 3 Break-away Kit
SRM-27		Interstate 12V Deep Cycle Battery
<b>Hydraulics System</b>		
IB2E3A4C5A6AAE7D8F2200	Pump, Reservoir	KTI Electric Motor
PMC-5536	3.5 x 36" 2500 psi	Prince Cylinder
<b>Hoses – All are 3000 PSI Female Swivel JIC</b>		
<b>Part#</b>	<b>Length &amp; Size</b>	
1	3/8" x 30"	
2	3/8" x 20"	
3	3/8" x 84"	
4	3/8" x 96"	
5	3/8" x 54"	
<b>Fittings</b>		
2401-6-8		9/16 male tube to 1/2 pipe 90
2603-6-8		9/16 male tube tee to 37 degree flare
6801-6-4		3/8 male 90 to 3/8 adj O-ring
874F10U8E		Dexter 8000# Torflex Axle
12-16.5 LT		Good Year Tires
16.5 x 9.75		Rims
TWL190DL		Bulldog 7000# Drop Jack
<b>LCT Manufactured Parts</b>		
LCT – 1003		Reel Lifting Rack Assembly
LCT – 100315		Reel Lifting Rack Hinge Pipe
LCT – 100322		Reel Lifting Height Adjuster
LCT – 100573		Ramp
LCT – 100571		2 1/2" Arbor Lock-in Collar
LCT – 100561		2 1/2" Arbor
LCT – 100537		Stiff Leg
LCT – 100541		Cylinder Hinge Lower Link
LCT – 100540		Cylinder Hinge Upper Link

# Parts Diagram



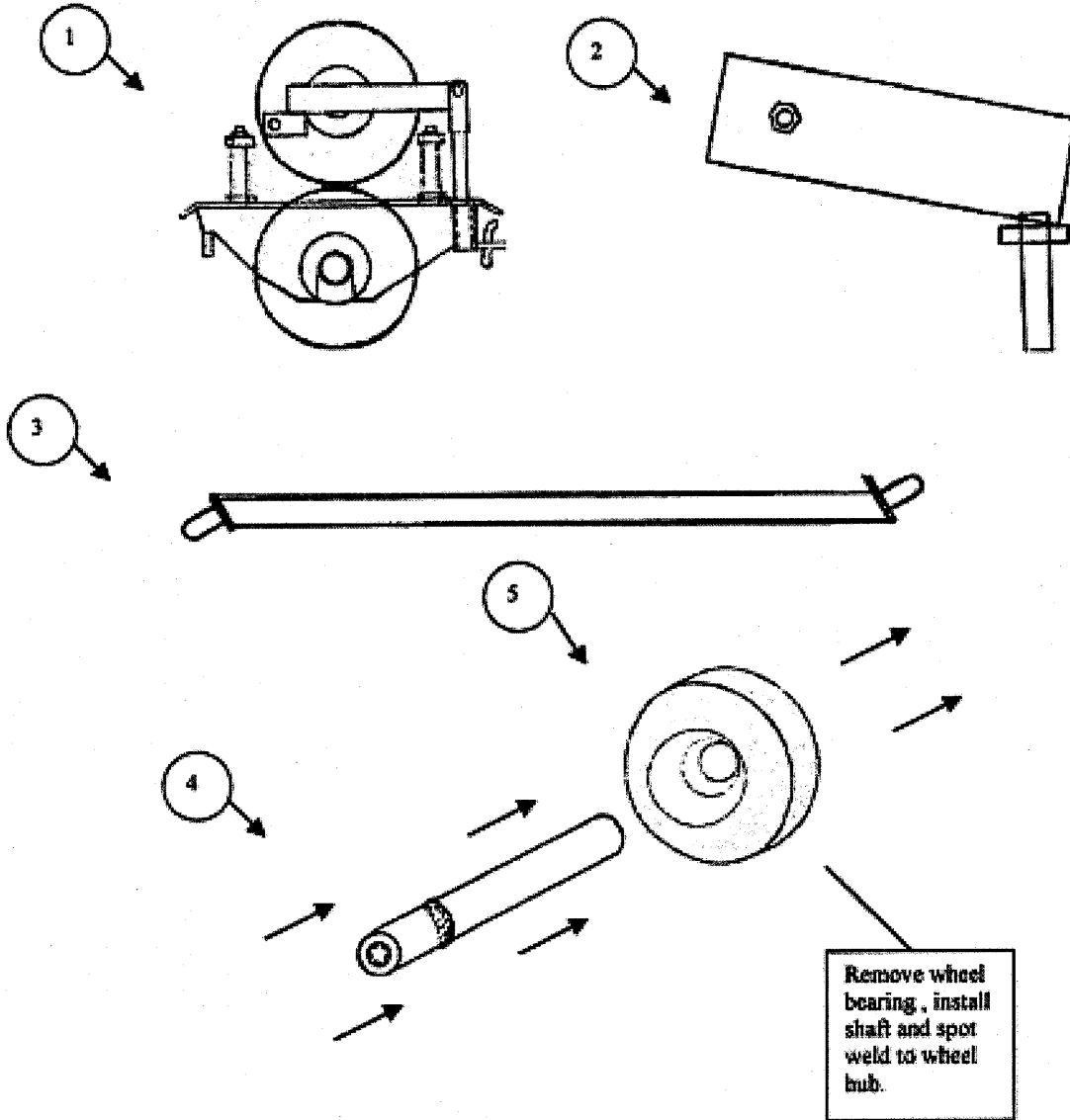
Item	Part Number	Description
1	LCT-100561	2 1/2" Arbor
2	86000448	New Holland Rubber Fastener
3	LCT-100537	Stiff Leg
4	LCT-100573	Ramp
5	LCT-100591	Swivel Valve Table
6	LCT-100587	Orbital Motor Stabilizer
7	LCT-100559	Engine Hood
8	LCT-100562	Control Valves Hood

# Parts Diagram



Item	Part Number	Description
1	LCT-1009	Reel Lifting Rack Assembly
2	LCT-100541	Cylinder Hinge Lower Link
3	LCT-10048	Reel Turner Rack Hinge Pipe (2 3/8" O.D.)
	LCT-100515	Reel Lifting Rack Hinge Pipe (2 7/8" O.D.)
4	LCT-100540	Cylinder Hinge Upper Link
5	LCT-100576	Bushing
6	LCT-100571	2 3/4" Collar
	LCT-100570	3" Collar
7	LCT-100551	Reel Turner Hub Assembly
8	LCT-1004	Reel Turner Rack Assembly
9	LCT-100432	Reel Turner Rack Axle Assembly
10	LCT-100322	Reel Lifting Height Adjuster

# Parts Diagram



Item	Part Number	Description
1	LCT-100553	Figure 8 Device
2	LCT-100569	Figure 8 Tube Bracket
3	LCT-100566	Figure 8 Pole
4	LCT-10055304	Figure 8 Device Drive Shaft
5	11x4x4	Figure 8 Assembly Tire & Rim